

# Isolation Relay for Parallel Motor Wiring

## HARDWARE FEATURES

- Universal: 90—275VAC
- 4-wire AC Motor Protection
  - Eliminates Inductive Feedback
  - Isolates motor directions
- Flexible Mounting Options
  - 4 x 4mm mounting holes
  - Optional backing plate for direct mounting in metal junction or gang boxes.
- Small Size for Easy Installation

## WORKS WITH...

- Most 4-Wire AC Motors
- Roller Shades
- Venetian Blinds
- Louvers
- Rack Arm Systems
- Skylights
- Operable Windows
- And more...



### Line Voltage Output

- Compatible with most standard 4-wire AC motors
- Rated Current: 10A continuous; 15A Max. for max 4s at 10% duty factor

### Physical Features

- Dimensions: 55mm x 37mm x 24mm (2.17" x 1.46" x 0.95")
- 55mm x 37mm x 30mm with backplate (2.17" x 1.46" x 1.19" with backplate)
- Mechanical Endurance: >30 x 10<sup>6</sup> operations

### Line Voltage Input and Control

- Universal 90-275 VAC at 50-60 Hz
- Worldwide Compatibility
- Must be matched to motor operating voltage
- Wire motors together in parallel on the same circuit with multiple ISO Relays

Various types of switches or controllers can be used to control the isolated motors:



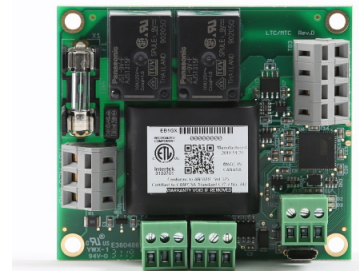
Key Lock Switches:  
SWKL-3POS-MTN-PC  
SWKL-3POS-MOM-M



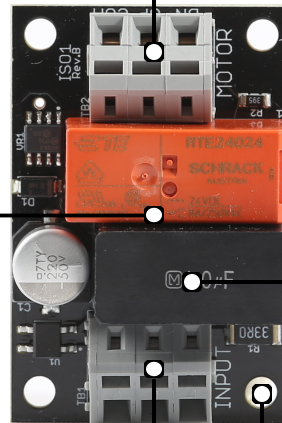
Rocker Switches:  
SW-SPDT-MOM-DEC  
SW-SPDT-MTN-DEC



Toggle Switches:  
SW-SPDT-MOM-TOG  
SW-SPDT-MTN-TOG



Motor Controllers:  
Solarai™  
Third-Party



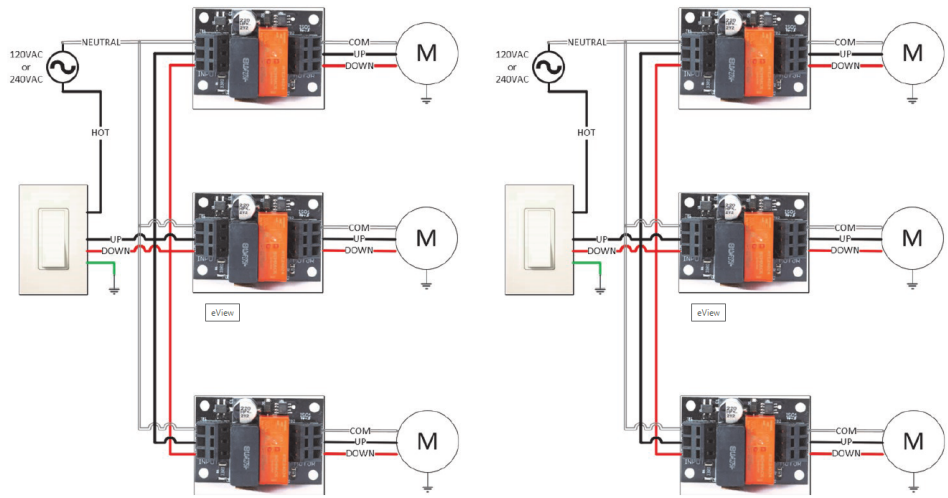
### Motor Protection

- Parallel wiring normally exposes motors to inductive feed-back causing erratic movement and potential damage to motors and shading systems. The isolation provided by the ISO Relay makes this configuration safe and easy
- Multiple motors can be safely operated directly from a single line voltage switch or a single motor can be operated from multiple switches without risk of damage to the motor
- If both FORWARD and REVERSE directions are energized, FORWARD line to the motor will take priority and REVERSE will be disconnected.

### Flexible Mounting Options

- 4 x 4mm mounting holes
- Plastic backing plate (optional) protects from short circuits for direct placement in electrical junction or gang boxes eliminating the need for mounting screws.





## COMPANION PRODUCTS

### Motors

- Any 4-wire Standard Motor Switches

### Key Lock

- SWKL-3POS-MTN-PC
- SWKL-3POS-MOM-M

### Rocker (Decorator)

- SW-SPDT-MOM-DEC
- SW-SPDT-MTN-DEC

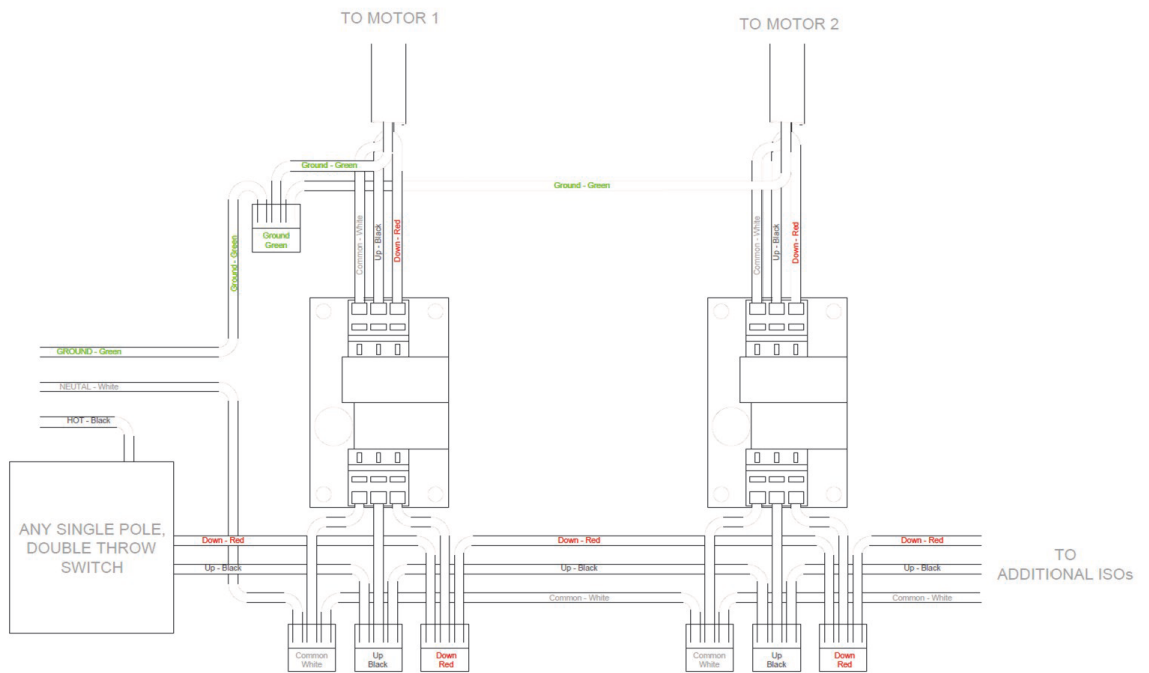
### Toggle

- SW-SPDT-MOM-TOG
- SW-SPDT-MTN-TOG

### All Solarai™ Motor Controllers

- CORE
- GROUP
- PLUS

### Third-Party Motor Controllers



## Ordering Information

Orderable Part Number	Description
ISO1-BP	Isolating relay for 1 motor—with backing plate
ISO1-X	Isolating relay for 1 motor—with no backing plate

## WARRANTY

All Embedia products carry a standard 2-year product replacement warranty. Extended 5 and 10 year warranties are available.

For more information on any of our products or services, please visit us on the Web at:

<http://www.embedia.com>



27-112 Freeport Cres. NE  
Calgary, AB, Canada T3J 0S9  
Phone: +1-403-456-6279